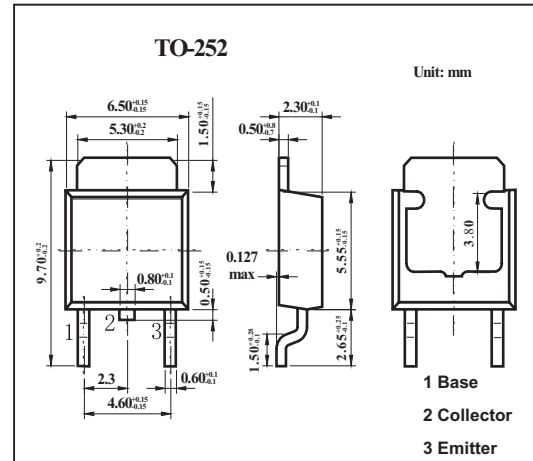


# 2SC4306

■ Features

- Low saturation voltage.
- Fast switching speed.
- Large current capacity.

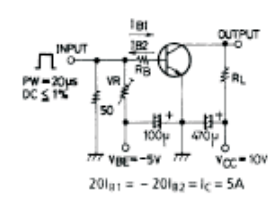


■ Absolute Maximum Ratings Ta = 25°C

Parameter	Symbol	Rating	Unit
Collector-base voltage	V <sub>CB0</sub>	30	V
Collector-emitter voltage	V <sub>CE0</sub>	20	V
Emitter-base voltage	V <sub>EB0</sub>	5	V
Collector current	I <sub>C</sub>	8	A
Collector current (pulse)	I <sub>CP</sub>	12	A
Base current	I <sub>B</sub>	1.5	A
Collector dissipation T <sub>c</sub> =25°C	P <sub>C</sub>	1	W
	P <sub>C</sub>	15	W
Junction temperature	T <sub>J</sub>	150	°C
Storage temperature	T <sub>stg</sub>	-55 to +150	°C

## 2SC4306

■ Electrical Characteristics Ta = 25°C

Parameter	Symbol	Testconditons	Min	Typ	Max	Unit	
Collector cutoff current	IcBO	V <sub>CB</sub> = 20V, I <sub>E</sub> =0			1	μA	
Emitter cutoff current	I <sub>EBO</sub>	V <sub>EB</sub> = 4V, I <sub>C</sub> =0			1	μA	
DC current gain	h <sub>FE</sub>	V <sub>CE</sub> = 2V, I <sub>C</sub> = 500mA	100		400		
		V <sub>CE</sub> = 2V, I <sub>C</sub> = 6A	70				
Gain bandwidth product	f <sub>T</sub>	V <sub>CE</sub> = 2V, I <sub>C</sub> = 500mA		250		MHz	
Output capacitance	C <sub>ob</sub>	V <sub>CB</sub> = 10V, f = 1.0MHz		60		pF	
Collector-emitter saturation voltage	V <sub>CE(sat)</sub>	I <sub>C</sub> = 5A, I <sub>B</sub> = 250mA		220	400	mV	
Base-emitter saturation voltage	V <sub>BE(sat)</sub>	I <sub>C</sub> = 5A, I <sub>B</sub> = 250mA		1	1.3	V	
Collector-base breakdown voltage	V <sub>(BR)CBO</sub>	I <sub>C</sub> = 10μA, I <sub>E</sub> = 0	30			V	
Collector-emitter breakdown voltage	V <sub>(BR)CEO</sub>	I <sub>C</sub> = 1mA, R <sub>BE</sub> = ∞	20			V	
Emitter-base breakdown voltage	V <sub>(BR)EBO</sub>	I <sub>E</sub> = 10μA, I <sub>C</sub> = 0	5			V	
Turn-on time	t <sub>on</sub>	 <p>20I<sub>B1</sub> = -20I<sub>B2</sub> = I<sub>C</sub> = 5A</p>		30	300	ns	
Storage time	t <sub>stg</sub>				250	1000	ns
Fall time	t <sub>f</sub>				15	150	ns

■ hFE Classification

Rank	R	S	T
hFE	100~200	140~280	200~400